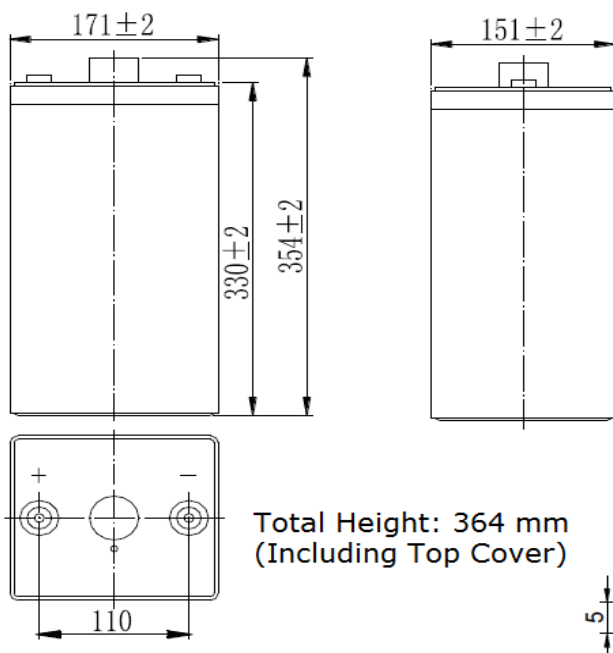


# SUNLIGHT SVT 2V - 300Ah

AGM VRLA Battery

## Features & Benefits

- Non-spillable maintenance free product
- High Quality and High Reliability
- Wide range of operating temperature
- Fast and easy installation
- Low self discharge
- Long service life, float or cyclic applications
- Female M8 brass terminals
- IEC 60896-21 & 22, EN 50272-2 compliant
- Can be mounted in any orientation (not upside down)
- Fully recyclable product



## Performance Data

## Specifications

Nominal Voltage	2 V	
Number of cells	1	
Design Floating Life (20°C)	15 years	
Dimensions	Length	171 mm
	Width	151 mm
	Height	330 mm
	Total Height	364 mm
Weight	17.5 kg	
	10 hours rate (1.80)	300 Ah
	5 hours rate (1.75)	267 Ah
Nominal Capacity	182 Ah	
	1 hour rate (1.65)	182 Ah
Internal Resistance (fully charged, 25°C)	0.75 mOhm	
Self Discharge	approx. 3% per month at 25°C	
Nominal Operating Temperature	25°C	
Operating Temperature range	Discharge	-15°C to 50°C
	Charge	-10°C to 50°C
	Storage	-20°C to 50°C
Float Charging Voltage	2.25 to 2.30 V/cell at 25°C	
	Temperature compensation	-18mV/°C
Maximum charging current	60 A	
Maximum discharge current	2000 A (5 sec.)	

### Discharge Constant Current at 25°C (Amperes)

End Voltage V/cell	30min	1h	2h	3h	4h	5h	6h	8h	10h	20h	24h
1.60 V	273	182	110	78.0	63.0	54.5	46.8	36.7	30.5	16.0	13.9
1.65 V	267	179	109	77.4	62.4	54.1	46.6	36.5	30.5	16.0	13.9
1.70 V	259	175	108	76.8	61.8	53.8	46.2	36.2	30.4	16.0	13.8
1.75 V	253	171	106	76.8	61.8	53.4	45.9	36.0	30.2	15.8	13.7
1.80 V	244	166	104	74.4	59.6	51.8	44.5	34.9	30.0	15.8	13.7

### Discharge Constant Power at 25°C (Watts)

End Voltage V/cell	30min	1h	2h	3h	4h	5h	6h	8h	10h	20h	24h
1.60 V	510	346	212	153	123	107	92.4	73.2	60.6	32.1	28.0
1.65 V	500	340	211	152	122	107	91.8	72.6	60.4	32.0	27.9
1.70 V	484	332	208	151	121	106	91.2	72.0	60.2	31.9	27.8
1.75 V	473	325	205	150	121	105	90.6	71.4	60.0	31.7	27.6
1.80 V	455	315	200	145	117	102	87.6	69.6	59.7	31.5	27.4

Note: The above characteristics data can be obtained within three charge/discharge cycles.