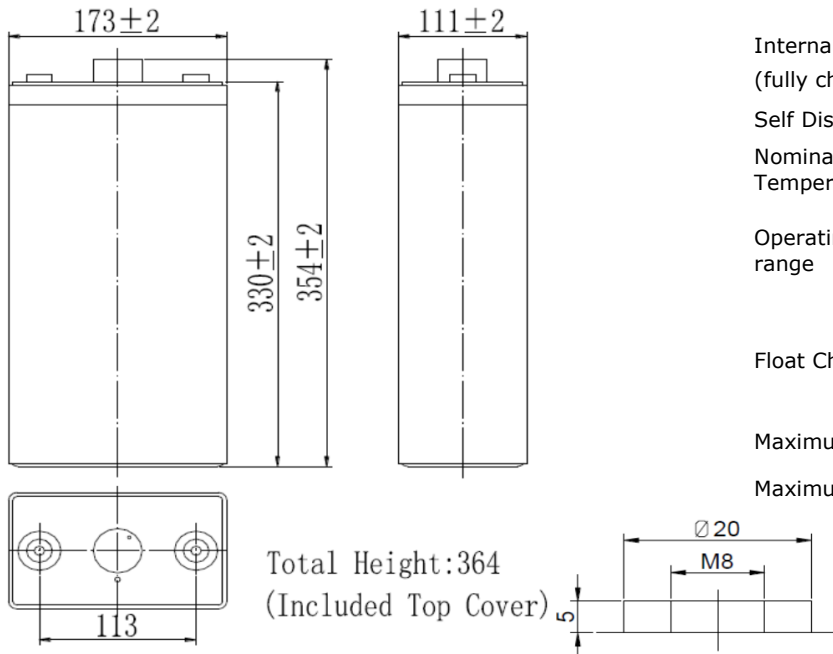


SUNLIGHT SVT 2V - 200Ah

AGM VRLA Battery

Features & Benefits

- Non-spillable maintenance free product
- High Quality and High Reliability
- Wide range of operating temperature
- Fast and easy installation
- Low self discharge
- Long service life, float or cyclic applications
- Female M8 brass terminals
- IEC 60896-21 & 22, EN 50272-2 compliant
- Can be mounted in any orientation (not upside down)
- Fully recyclable product



Performance Data

Discharge Constant Current at 25°C (Amperes)

End Voltage V/cell	10min	15min	30min	1h	2h	3h	4h	5h	6h	8h	10h	20h	24h
1.60 V	330	270	180	120	73.1	52.0	41.8	36.3	31.2	24.5	20.4	10.7	9.26
1.65 V	320	264	176	118	72.6	51.7	41.6	36.1	31.0	24.3	20.3	10.7	9.25
1.70 V	307	254	171	115	72.0	51.4	41.3	35.8	30.8	24.2	20.3	10.6	9.22
1.75 V	294	245	167	113	70.9	51.1	41.1	35.6	30.6	24.0	20.1	10.6	9.16
1.80 V	277	232	161	109	69.1	49.5	39.8	34.5	29.7	23.3	20.0	10.5	9.10

Discharge Constant Power at 25°C (Watts)

End Voltage V/cell	10min	15min	30min	1h	2h	3h	4h	5h	6h	8h	10h	20h	24h
1.60 V	594	494	337	228	141	102	82.0	71.5	61.5	48.7	40.5	21.4	18.6
1.65 V	576	482	330	225	140	101	81.5	71.1	61.1	48.4	40.4	21.3	18.6
1.70 V	552	464	320	219	139	101	80.9	70.6	60.7	48.1	40.3	21.3	18.5
1.75 V	529	449	312	215	137	100	80.4	70.1	60.3	47.8	40.1	21.1	18.4
1.80 V	499	425	301	208	133	97.0	77.9	68.0	58.5	46.3	39.8	21.0	18.3

Note: The above characteristics data can be obtained within three charge/discharge cycles.

Specifications

Nominal Voltage	2 V	
Number of cells	1	
Design Floating Life (20°C)	15 years	
Dimensions	Length	173 mm
	Width	111 mm
	Height	330 mm
	Total Height	364 mm
Weight	13 kg	
Nominal Capacity (25°C)	10 hours rate (1.80)	200 Ah
	5 hours rate (1.75)	178 Ah
	1 hour rate (1.65)	118 Ah
Internal Resistance (fully charged, 25°C)	0.9 mOhm	
Self Discharge	approx. 3% per month at 25°C	
Nominal Operating Temperature	25°C	
Operating Temperature range	Discharge	-15°C to 50°C
	Charge	-10°C to 50°C
	Storage	-20°C to 50°C
Float Charging Voltage	2.25 to 2.30 V/cell at 25°C	
	Temperature compensation	-18mV/°C
Maximum charging current	40 A	
Maximum discharge current	1500 A (5 sec.)	