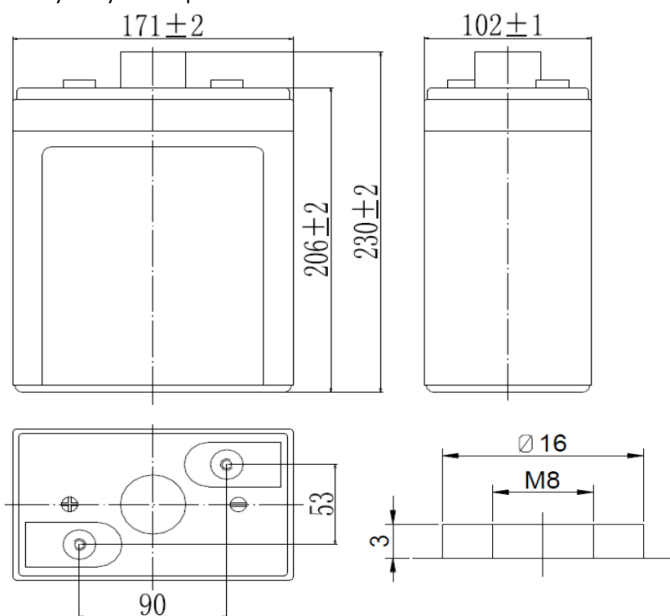


# SUNLIGHT SVT 2V - 150Ah

AGM VRLA Battery

## Features & Benefits

- Non-spillable maintenance free product
- High Quality and High Reliability
- Wide range of operating temperature
- Fast and easy installation
- Low self discharge
- Long service life, float or cyclic applications
- Female M8 brass terminals
- IEC 60896-21 & 22, IEC 62485-2 compliant
- Can be mounted in any orientation (not upside down)
- Fully recyclable product



## Specifications

Nominal Voltage	2 V
Number of cells	1
Design Floating Life (20°C)	15 years
Dimensions	Length 171 mm
	Width 102 mm
	Height 206 mm
Weight	Total Height 230 mm
	7.9 kg
Nominal Capacity	10 hours rate (1.80) 150.0 Ah
	5 hours rate (1.75) 133.5 Ah
	1 hour rate (1.65) 88.8 Ah
Internal Resistance (fully charged, 25°C)	0.6 mOhm
Self Discharge	approx. 3% per month at 25°C
Nominal Operating Temperature	25°C
Operating Temperature range	Discharge -15°C to 50°C
	Charge -10°C to 50°C
	Storage -20°C to 50°C
Float Charging Voltage	2.25 to 2.30 V/cell at 25°C
	Temperature compensation -18mV/°C
Maximum charging current	30 A
Maximum discharge current	1200 A (5 sec.)

## Performance Data

### Discharge Constant Current at 25°C (Amperes)

End Voltage V/cell	15min	30min	1h	2h	3h	4h	5h	6h	8h	10h	20h
1.60 V	203	135	90.0	54.9	39.0	31.5	27.2	23.4	18.4	15.3	8.01
1.65 V	198	132	88.8	54.6	38.7	31.2	27.1	23.3	18.2	15.2	8.01
1.70 V	191	128	86.4	54.0	38.4	30.9	26.9	23.1	18.1	15.2	7.98
1.75 V	184	125	84.6	53.1	38.0	30.9	26.7	23.0	18.0	15.1	7.92
1.80 V	174	121	82.2	51.9	37.2	29.8	25.9	22.3	17.5	15.0	7.89

### Discharge Constant Power at 25°C (Watts)

End Voltage V/cell	15min	30min	1h	2h	3h	4h	5h	6h	8h	10h	20h
1.60 V	372	253	171	106	75.9	61.5	53.7	46.2	36.6	30.3	16.0
1.65 V	363	248	168	105	75.3	61.2	53.4	45.9	36.3	30.3	16.0
1.70 V	348	240	164	104	75.0	60.6	53.1	45.6	36.0	30.3	16.0
1.75 V	336	234	161	103	73.8	60.3	52.5	45.3	35.7	30.0	15.9
1.80 V	318	225	156	100	72.6	58.5	51.0	43.8	34.8	30.0	15.8

Note: The above characteristics data can be obtained within three charge/discharge cycles.